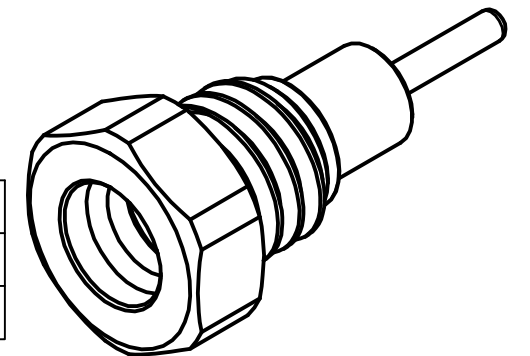
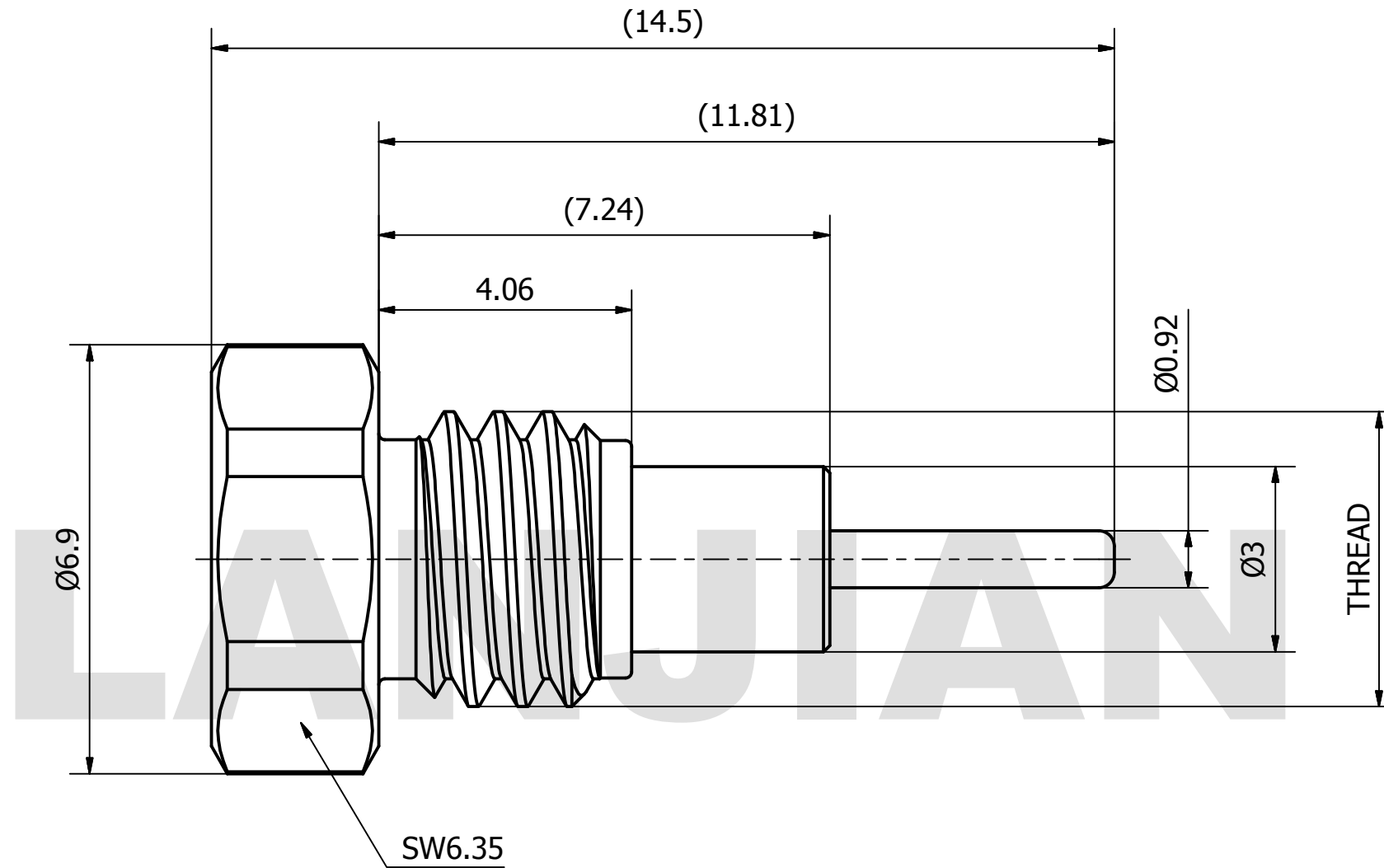


PRODUCT DATA SHEET



| NUMBER | TITLE | THREAD |
|----------------|----------|-------------|
| GCPZ3.650.1451 | SMP-JY | 10-32UNF-2A |
| GCPZ3.650.1454 | SMP-JY-1 | M5X0.5-6g |

MATERIAL:
 BODY: BRONZE
 CONTACT: BRONZE
 INSULATOR: PTFE

THIS DOCUMENT CONTAINS CONFIDENTIAL AND PROPRIETARY INFORMATION THAT CANNOT BE REPRODUCED OR DIVULGED, IN WHOLE OR IN PART, WITHOUT WRITTEN AUTHORIZATION FROM "LANJIAN ELECTRONICS"

| | | |
|--|--------------|------------------------------|
| MATERIAL : | | |
| UNLESS OTHERWISE SPECIFIED: DIMENSIONS IN MM | | |
| TOLERANCES : | | |
| X.X | ± 0.20 | ANGULAR : ± 1° |
| X.XX | ± 0.10 | FILLETS R/C : ± 0.10 |
| X.XXX | ± 0.01 | SURFACE FINISH : Ra 1.6 |
| | | DEBURR AND BREAK SHARP EDGES |
| | NAME | DATE |
| DRAWN | YaoJiang | 08/14/2018 |
| CHK'D | HongZhongYan | 08/14/2018 |
| APPV'D | HongZhongYan | 08/14/2018 |
| MFG | | |
| PROJECTION | SIZE | SCALE |
| | A3 | 10 : 1 |

LANJIAN ELECTRONICS
 38 Hengtong Road, Xinqu Dingmao
 Zhenjiang, 212009, Jiangsu, P. R. China

TITLE
SMP-JY
SMP-JY-1
 jack connector

DWG No. GCPZ3.650.1451/1454 REV. A
 DO NOT SCALE THE DRAWING PAGE 1 / 1